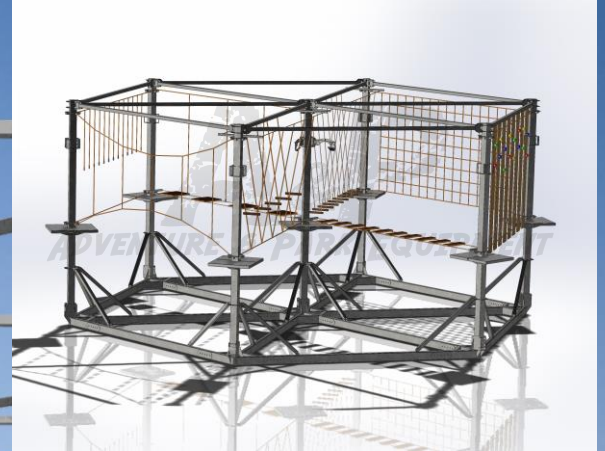


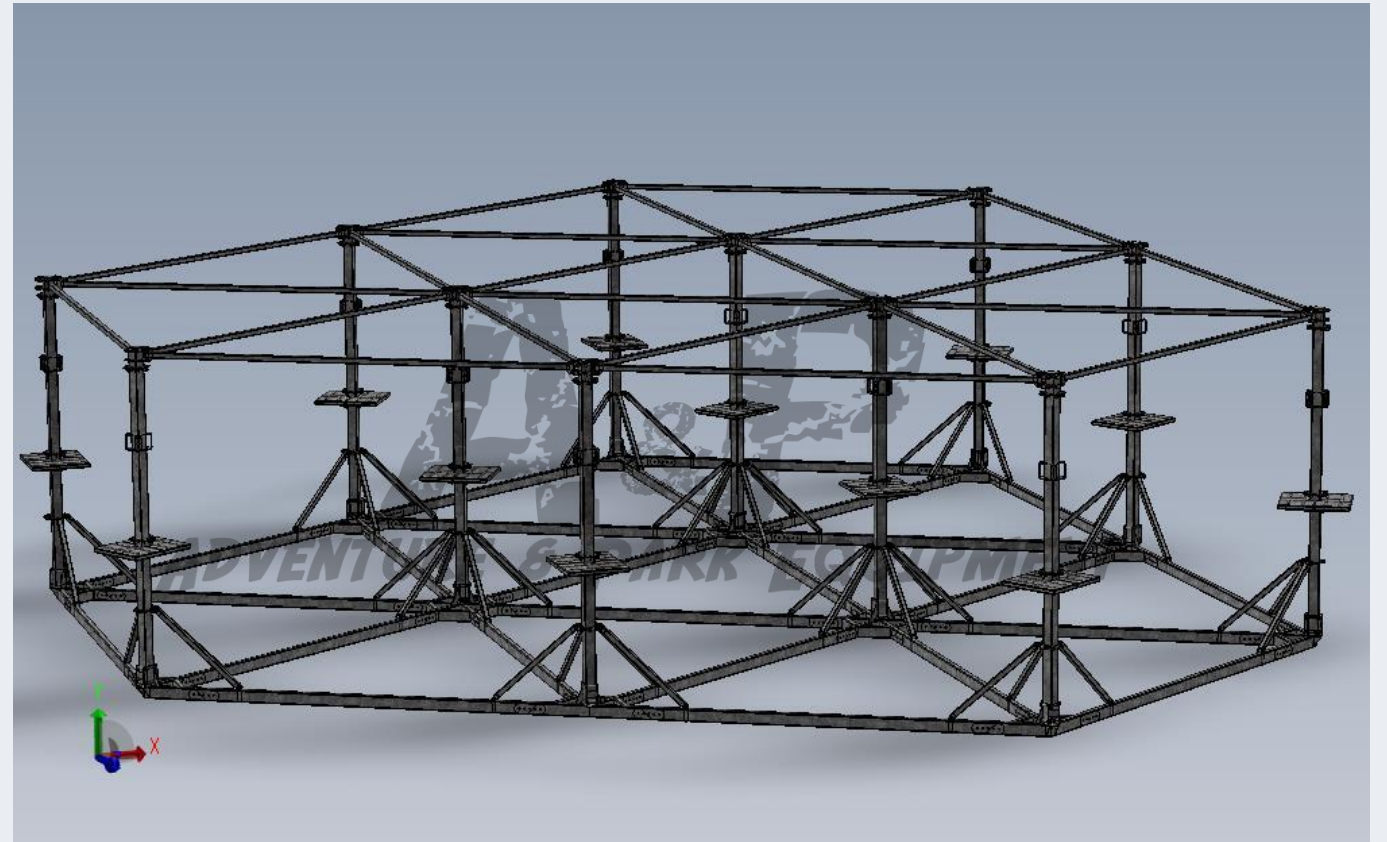
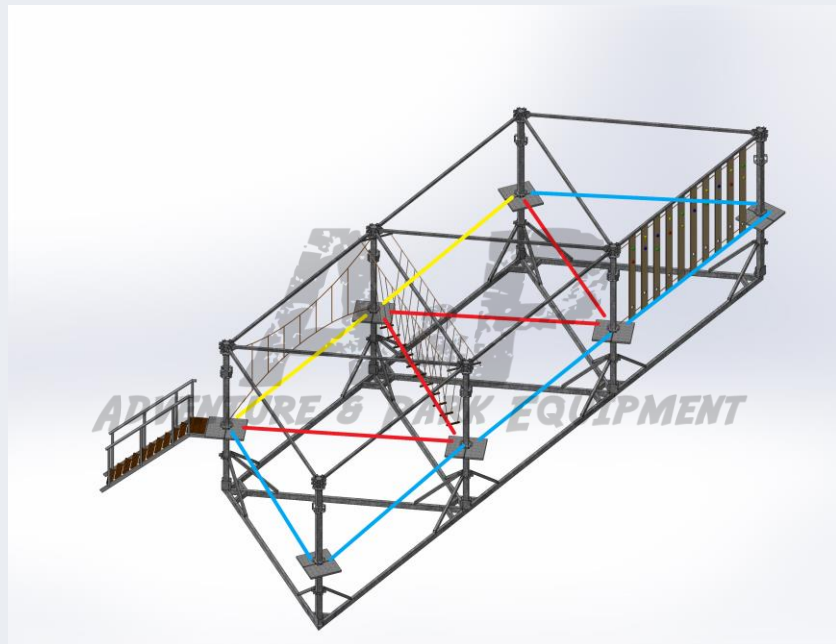
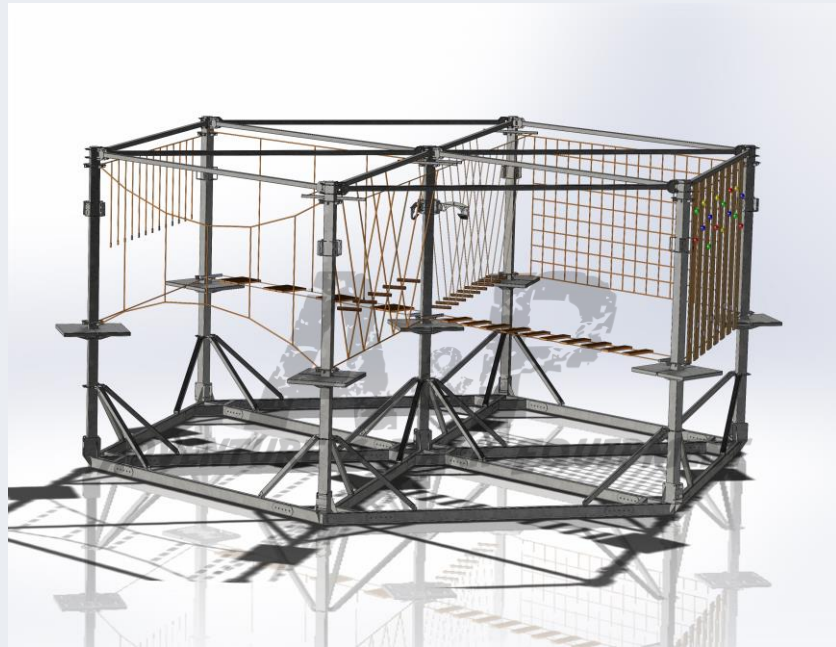
A&P
ADVENTURE & PARK EQUIPMENT

Pop up
Contents Type MR2

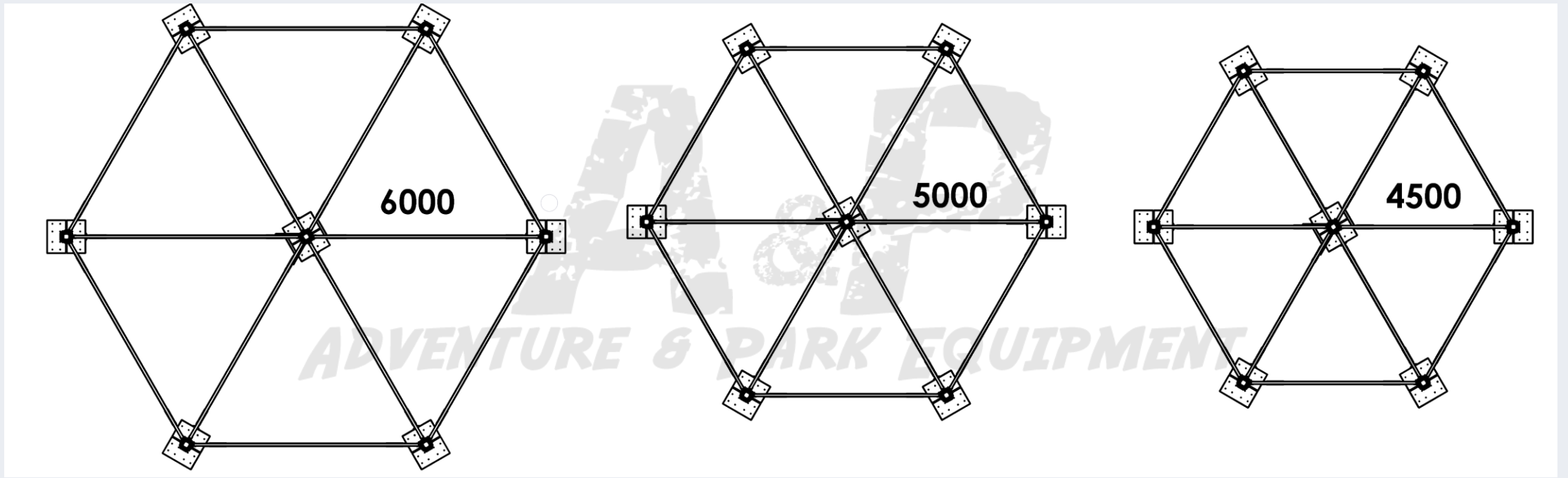


**The Self-standing
– Pop Up –
High Rope Track.**

Can be covered with wood



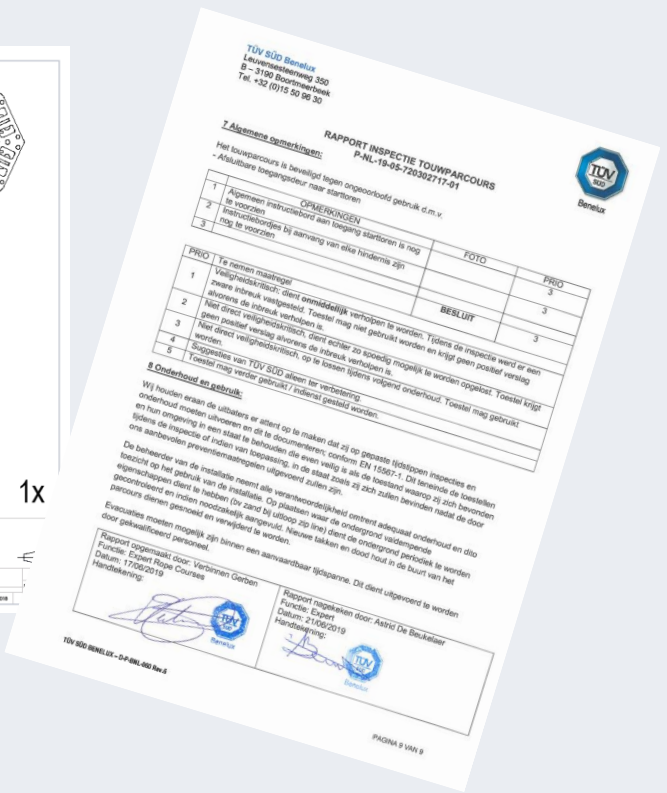
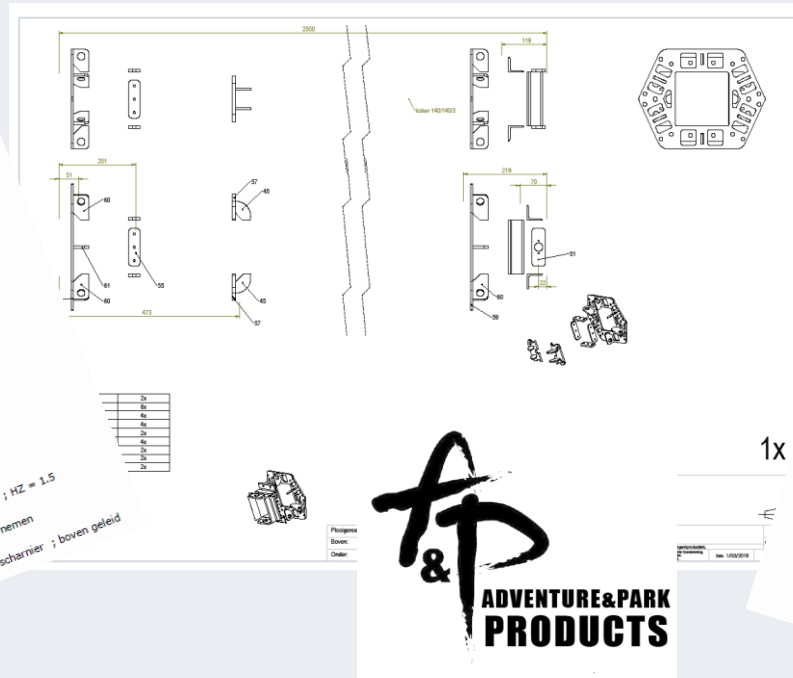
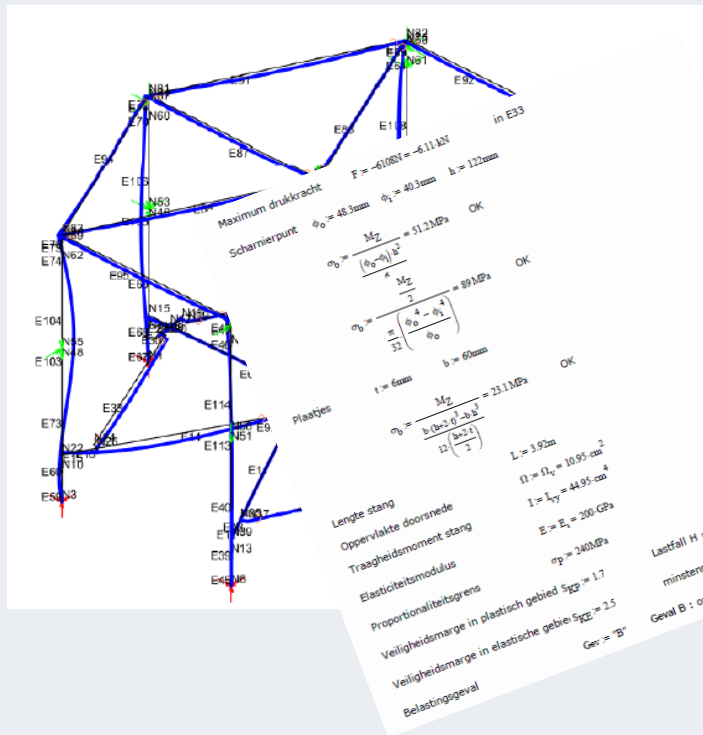
Available in Kids version
Available in Youngsters / Adult version
Expandable in the Futur
3 standard heights



3 Standard lengths available
3 standard heights available
1 or 2 levels

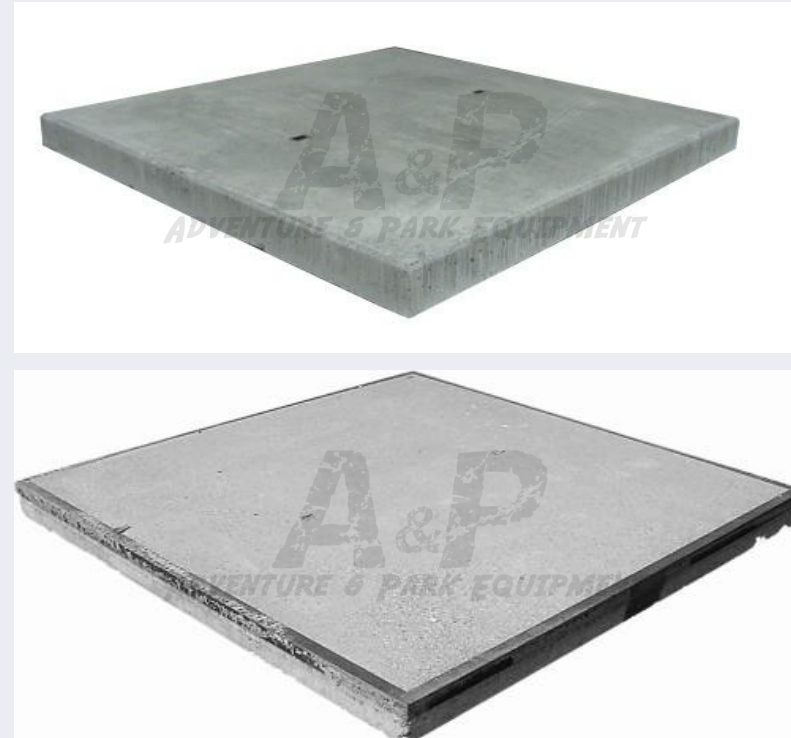
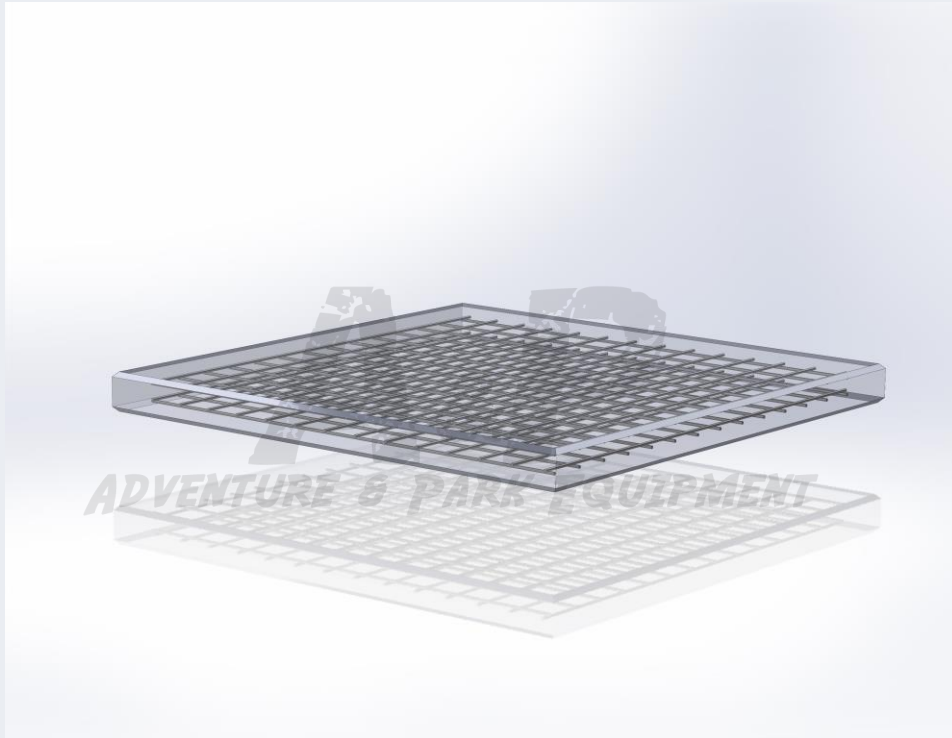
Determination of content product / standard lengths

General cost product		# projects	1
	Study of stability per product		
	Adapted Certification delivered product		
	Production start – up cost		
	Drawings		-,- €
		# projects	1
	drawings to create a demand of: permission to construct. (if nessecary)		-,- €



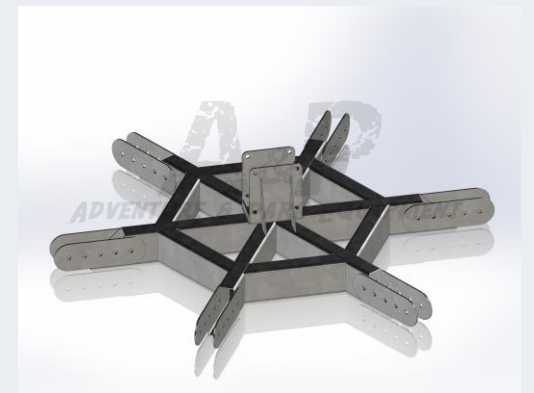
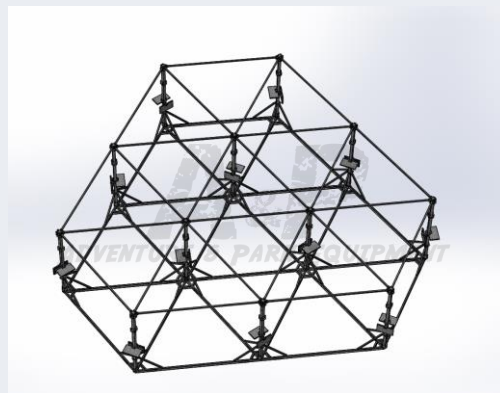
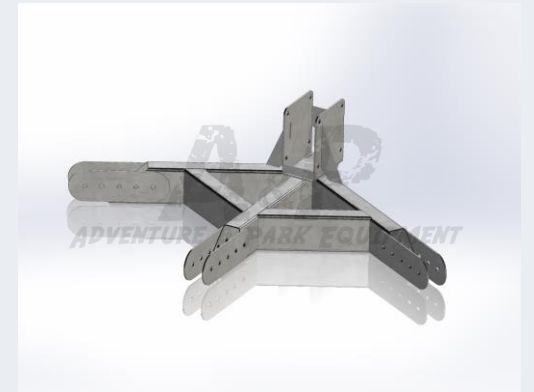
Foundation structure, if needed on beaches, sand, etc....

foundations posts		# projects	1
	Concrete slab 2000 * 2000 * 160 20 ton		-, - €
	Concrete slab 2000 * 2000 * 160 20 ton metal border		-, - €
	Ancre chair to fix structure permanent		-, - €



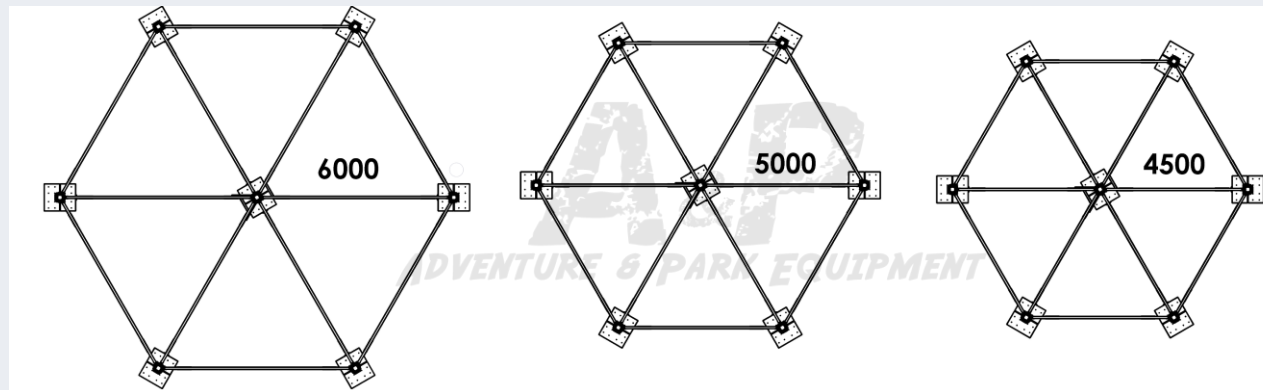
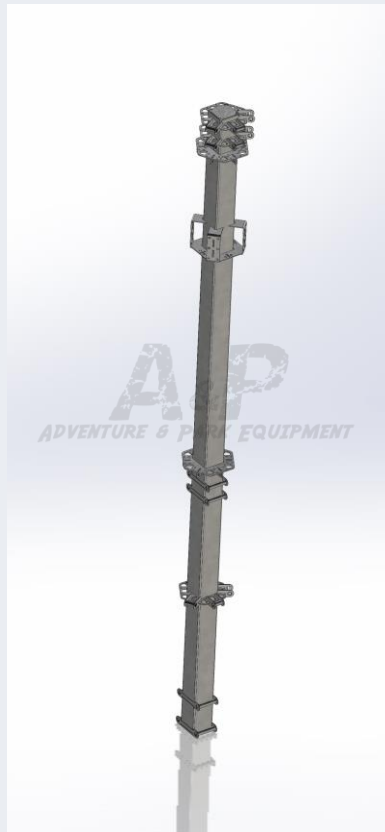
Structure connectors

galvanised standard connectors		# projects	1
	2 way corner connector 60°		-, - €
	3 way corner connector 120°		-, - €
	4 way side connector 180°		-, - €
	6 way central connector 360°		-, - €



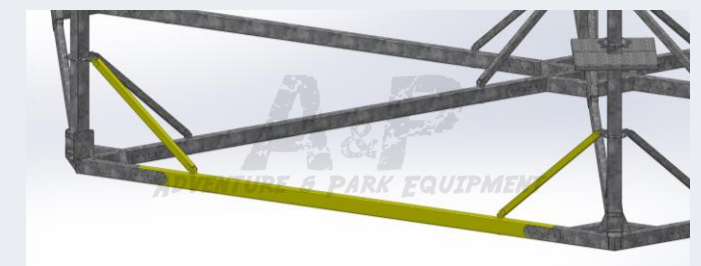
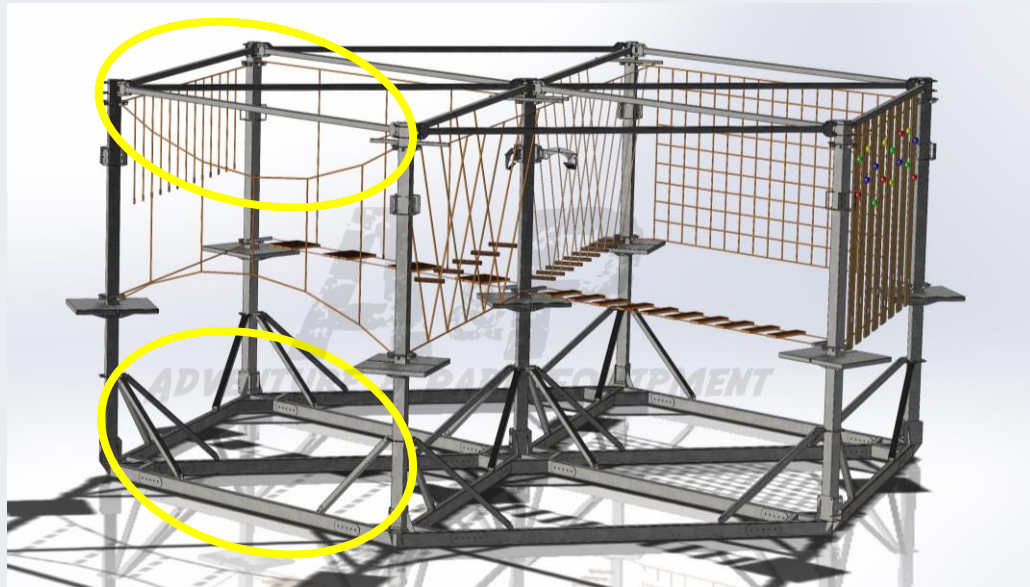
Structure poles

galvanised square poles with connectors		# projects	1
	length 4500 mm for 1 platform on 2000 mm		-, - €
	length 5000 mm for 1 platform on 2500 mm		-, - €
	length 5500 mm for 1 platform on 3000 mm		-, - €
	length 6000 mm for 2 platforms, 1 st on 1200 mm 2 nd on 3500 mm		-, - €
	Platform 2 parts, pins & splitpins or bolts and nuts with plastic		-, - €



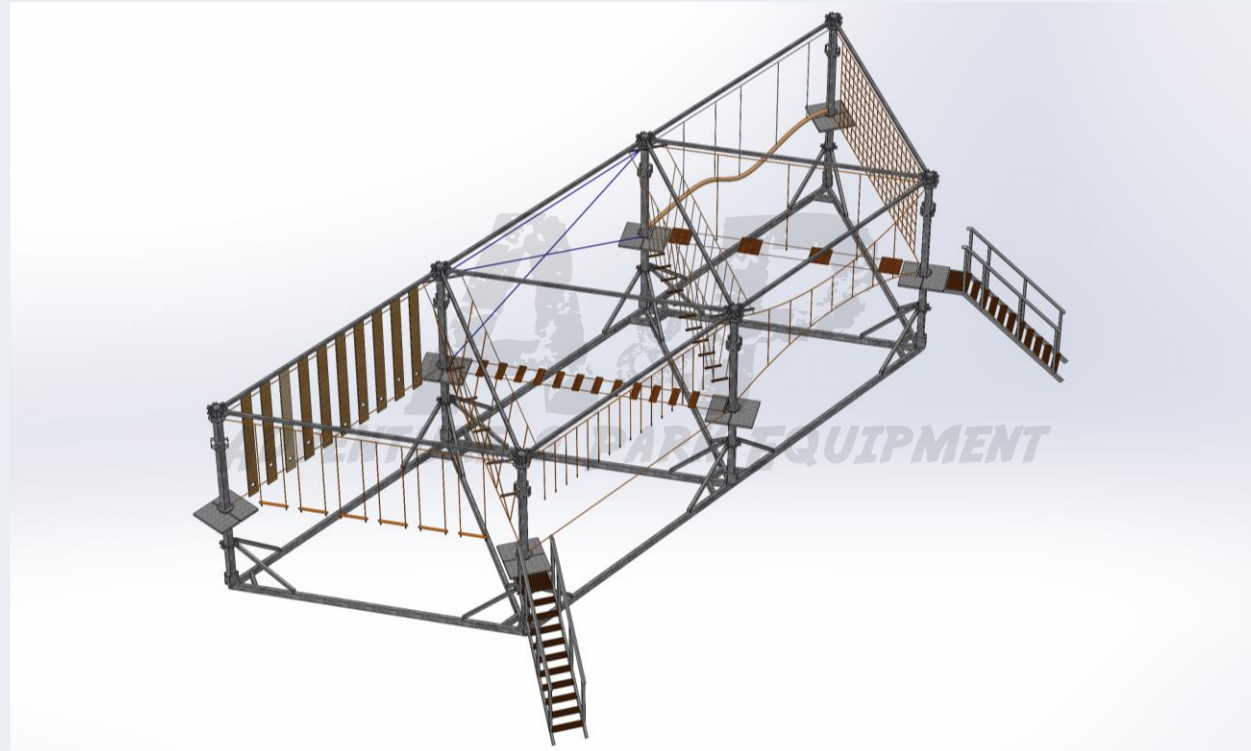
Bottem push bars and top pull bars

Bottem push bar between connectors		# projects	1
2 diagonal bars included	Structure type 4500 mm		-, - €
	Structure type 5000 mm		-, - €
	Structure type 6000 mm		-, - €
Top pull bars between posts			
	Structure type 4500 mm		-, - €
	Structure type 5000 mm		-, - €
	Structure type 6000 mm		-, - €



Acces stairs Parts

Acces stairs and hand rail incl CBS		# projects	1
	Stairs to 1 st level Poles 4500 mm		-, - €
	Stairs to 1 st level Poles 5000 mm		-, - €
	Stairs to 1 st level Poles 5500 mm		-, - €
	Stairs to 1 st level Poles 6000 mm		-, - €
	Stairs to 2 nd level Poles 6000 mm		-, - €



Obstacles, Play elements

obstacles		# projects	1
	obstacle type 1		250,00 €
	obstacle type 2		350,00 €
	obstacle type 3		450,00 €
	obstacle type 4		550,00 €
	obstacle type 5		650,00 €
	obstacle type 6		750,00 €
	obstacle type 7		850,00 €
	obstacle type 8		950,00 €
	obstacle type 9		1 050,00 €
	obstacle type 10		1 250,00 €
	obstacle type 11		1 750,00 €
	obstacle type 12		2 500,00 €
	obstacle type 13		3 500,00 €
	obstacle type 14		4 500,00 €
	obstacle type 15		5 500,00 €
	obstacle type 16		6 500,00 €

Content en prices: ask for file, prices obstacles

Accessories obstacles, Play elements included in type package, rope type and colors



Accessories obstacles, Play elements included in type package, net type and colors

4 stranded twisted:



PP - multi, Beige



PP - multi, Green



PP - multi, Blue



PP - multi, Yellow



PP - multi, Red



PP - multi, Black



Continuous belay system Saferoller per obstacle

Saferoller		# projects	1
	Saferoller life line parts per obstacle with multiclamparm or monoclamp		-, - €
	bifurcation		-, - €
	shark		-, - €

Continuous belay system Speedrunner per obstacle

Saferoller		# projects	1
	Speedrunner life line per obstacle		-, - €
	bifurcation		-, - €
	Rapid link oval 10 mm		-, - €



Standard Saferoller life line parts on access stairs

Saferoller or speedrunner on access stairs		# projects	1
	PC poleclamp for saferoller		-, - €
	Rock me bracket for speedrunner		-, - €
	CP cable positionner		-, - €
	BIF bifurcation for saferoller		-, - €
	SP2 Bifurcation 2 for speedrunner		-, - €
	AC Multiclamparm		-, - €
	cable		-, - €



Transportation cost

Transportation		# projects	1
	delivery materials foundation		Depending destination
	delivery materials structure		Depending destination
	transportation materials site		Depending destination



Personal Safety Equipment

personal safety equipment		# projects	1
	Saferoller trolley with teflon rollers		-, - €
	Speedrunner kanhook		-, - €
	Hirope 2		-, - €
	SPS Lanyard		-, - €
	safety belt singingrock uni seks		-, - €
	pear link 10 mm		-, - €
	Helmet Rock K2		-, - €
	shipping		-, - €



Your world wide dealer:

Contact :
KANOPEO GMBH
Reichensteinerstrasse 16
4053 BASEL
SWITZERLAND

Phone Office. +41 61 712 0620
E-Mail: info@kanopeo.com
www.kanopeo.com

Your Extra dealer:



Your A&P Equipment Head Office:

Contact worldwide:

Paul Huybrechts

By Mail: info@ap-equipment.com

Your Kanopeo Contact person:

- For North America, Benelux, Scandinavia, Turkey, Baltic, Russia,
Romain Aubrun
+41 79 528 46 56
Romain.aubrun@kanopeo.com
- For South America, Central America, Switzerland, Germany
Jacques Christinet
+41 79 285 66 38
JC@Kanopeo.com
- For Asia, France, UK & Ireland, Italia, Australia, Africa, Japan, Korea
Vincent Hueber
+41 79 214 32 70
vh@kanopeo.com
- For China
Nanyi Gao
+33 7 51 53 78 05
ny.gao@kanopeo.com
xl.wang@kanopeo.com

WWW.AP-EQUIPMENT.COM